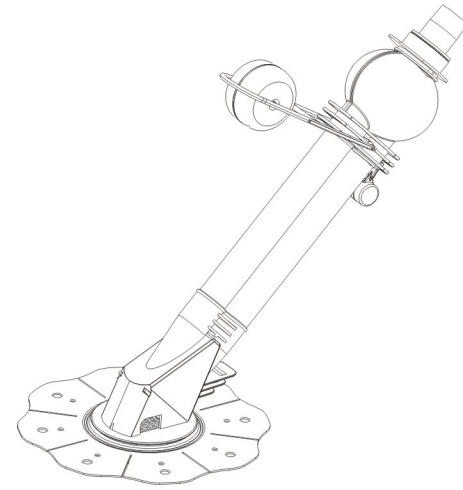


Mighty Vac™ Assembly Instruction

I. Preparation of Your Pool

Before assembling and installing your cleaner, your pool should be clean and algae-free so as not to inhibit the cleaner's traction. If necessary, make the following preparations before proceeding:

1. Chemically balance the pool water.
2. Brush pool and let the debris settle.
3. Hand vacuum thoroughly.
4. Clean filter

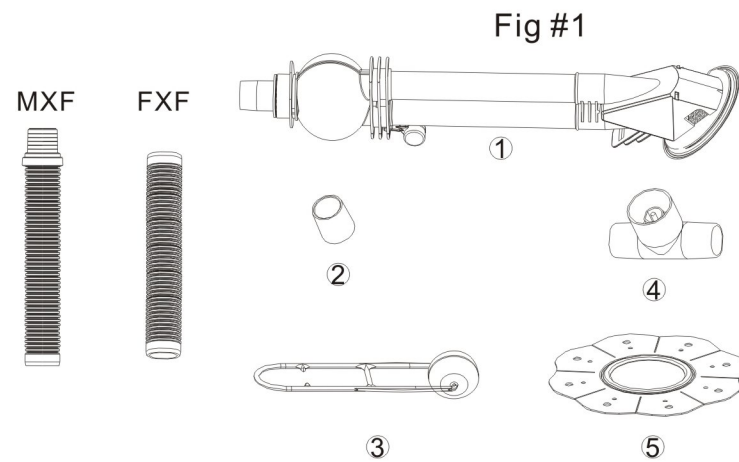


II. Assembly

Remove the body and all of its parts from the box and check sure that all components were included. Refer to Figure 1.

Components Check List

1. Body
2. Cone
3. Float Assembly
4. Automatic regulator valve
5. Pleated seal
6. Hose (6 pcs MXF)
(1 pcs FXF)



Step 1. Attach The Seal

To install seal, slip the seal over the foot pad and pull gently until it seats itself on the other side in its groove as illustrated in Figure 2. Seal must be installed flat side down, pleated side up. Once in place, the seal should rotate and turn freely.

Step 2. Attach Float

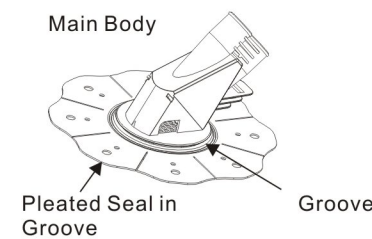
Step 3. Attach Cone To #11 And Insert Reg Valve To Female Hose Section.

Step 4. Attach the remaining hoses

III: Installation

1. Fill the hose sections with water to eliminate air pockets
2. Connect to #11 and adjust regulator valve if needed

Fig #2



MIGHTY VAC™

This Cleaner is made to fit only on intex® pools Pool filter must be new or cleaned to start. Pool water must be clean to start. Mighty VAC is designed to keep a clean pool clean. Brush your pool often as needed cleaner does not clean 100% Keep your filter clean, you may need to clean you filter often as needed Mighty Vac works with these types of intex® Pools

EASY-SET™ POOL

For 16'(488cm) and below pools with Strainer



Screw the Hose Adaptor B (11) to the Threaded Strainer Connector. From inside of the pool.

#11 is packed in your pool skimmer box

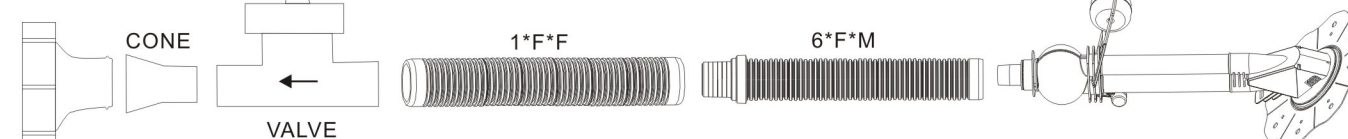
METAL FRAME POOL

For 18'(549cm) and below pools with Strainer



Screw the Hose Adaptor B (11) to the Threaded Strainer Connector. From inside of the pool.

#11

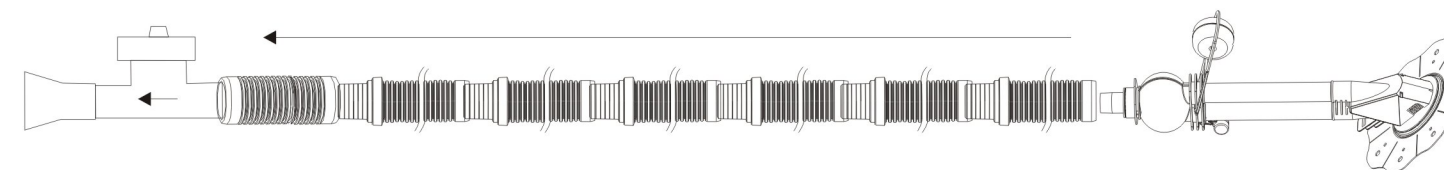
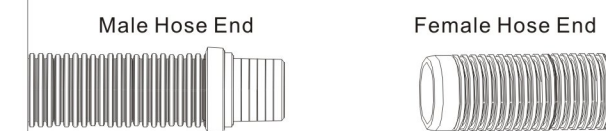


#11-Is PACKED IN YOUR POOLS SKIMMER BOX WHICH COME'S WITH YOUR POOL.

INTEX® POOL IS A REGISTERED TRADE MARK OF INTEX® RECREATION CORP.

Twist and push the female ends onto the male ends after dipping the ends into the pool to wet them. See Figure 3. Continue until you've connected all the sections you need. then connect the HOSE to the cleaner. One of the hose sections has 2 female ends Your fully assembled cleaner should look like this.

Fig #3



MIGHTY VAC™

THIS AUTO VAC WILL WORK PROPERLY WITH THE FOLLOWING FILTERS ONLY

Item#	Voltage	Easy Set® Pool Models	Frame Pool Models	Oval Frame Pool Models	Rectangular Frame Pool Models	Water Flow Gal. (L)/hr
56637/E	110-120	15' (457cm)	15'/16' (457/488cm)	—		1,000(3,785)
56638	220-240	15' (457cm)	15'/16' (457/488cm)	—		1,000(3,785)
56635/E	110-120	18' (549cm)	18' (549cm)	20'/24'/28'x12' (610/732/853cmx366xm)	18'x9' (549x274cm)	1,500(5,678)
56636	220-240	18' (549cm)	18' (549cm)	20'/24'/28'x12' (610/732/853cmx366xm)	18'x9' (549x274cm)	1,500(5,678)
56636GS	12	18' (549cm)	18' (549cm)	20'/24'/28'x12' (610/732/853cmx366xm)	18'x9' (549x274cm)	1,500(5,678)
56633/E	110-120	—	24' (732cm)		24'x12' (732x366cm)	2,500(9,462)
56634	220-240	—	24' (732cm)		24'x12' (732x366cm)	2,500(9,462)

1. On filters with 1500 gallon's or less, close reguator valve 100%

2. On filter's with 2500 gallon's open valve accordingly so that Auto Vac does not run too fast.

3. The proper speed for Mighty Vac is about 3 feet per minute

For replacement parts or support

Email: info@splasharoundpools.com

MADE IN CHINA